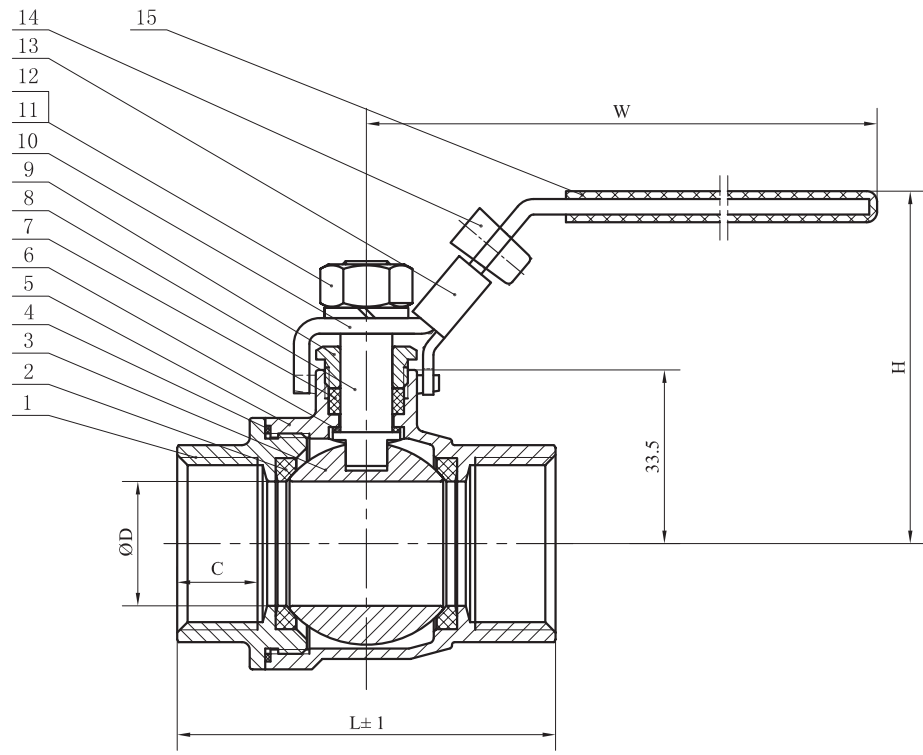
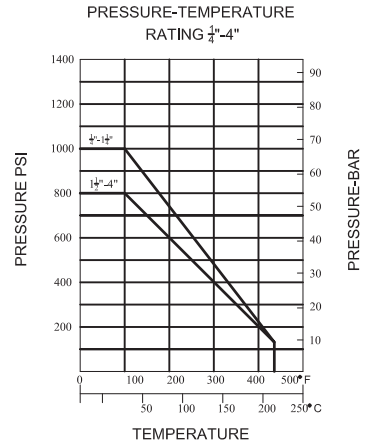


1/4~4"Q<sub>20</sub>11F-100R



Main Technical Parameter		
Normal pressure	1000	PSi
Test pressure	Shell test pressure	10.5
	Tightness test	7.7
	Gas-Tightness test	0.6
Max working temperature	-29~180	°C
Applicable medium: water, gas, oil, acid		



SIZE	ØD	L	W	H	C	KGS/PC
1/4	10.5	48	100	51.5	10	0.16
3/8	10.5	48	100	51.5	10	0.14
1/2	14	54	100	57.5	12.5	0.23
3/4	19	62	120	64.5	13	0.34
1	24	73	120	68	15.5	0.53
1 1/4	31	87	150	79.5	17.5	0.81
1 1/2	38	96	170	90.5	18	1.12
2	48	108	170	98	18	1.62
2 1/2	64	138	250	122	24	3.38
3	76	164	250	132	27.5	5.06
4	98	193	300	163	28	8.2

No.	Parts name	Material	No.	Parts name	Material
1	End cap	ASTM A351 CF8M	9	Stem	SS316
2	Seat	PTFE/RPTFE	10	Handle	SS304
3	Ball	SS316	11	Spring washer	ASTM A193-B8
4	Gasket	PTFE	12	Handle nut	ASTM A194-B8M
5	Body	ASTM A351 CF8M	13	Handle lock	SS304
6	Stem gasket	PTFE	14	Pin	PLSTIIC
7	Packing	PTFE	15	Handle Sleeve	Plastic
8	Packing gland	SS316	16		

- TECHNICAL SPECIFICATION**
- Basic design and manufacture according to ANSI B16.34;
  - Adjustable packing gland, Bottom-loaded blow-out proof stem;
  - NPT Threaded ends complied with ANSI B 1.20.1;
  - Re, Rp&G Threaded ends complied with BS 21/2779, DIN 259/2999, ISO 228 are upon request;
  - Inspection and tested according to API598.

1/4~4"Q<sub>20</sub>11F-100R  
2PC THREADED BALL VALVE  
ASSEMBLY DIAGRAM

**WENZHU PHILIC VALVE CO.,LTD.**  
2PC LIGHT-DUTY THREAD BALL VALVE

1/4~4"Q<sub>20</sub>11F-100R

